

SONY

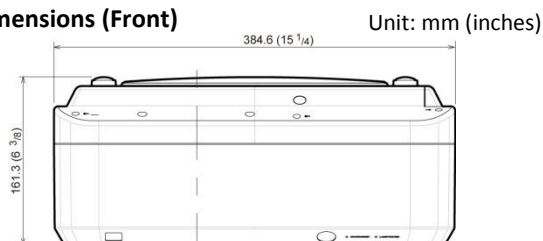
make.believe

Ultra Short Throw Projector VPL-SX536M

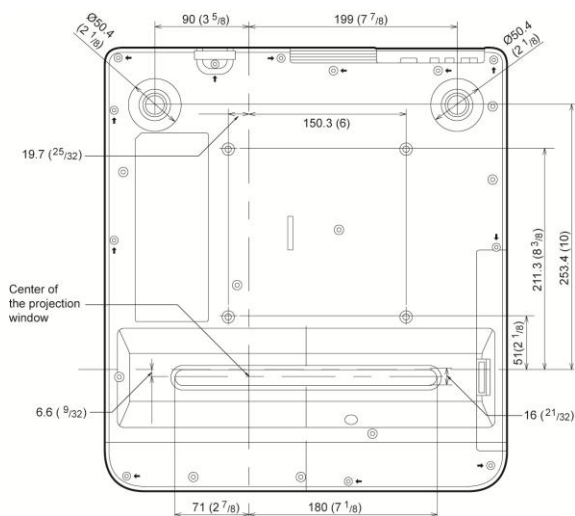
Key Features

- 3,000 lumens (ISO 21118)
- Native XGA (1,024x768) resolution
- High contrast ratio
- BrightEra® panel
- Ultra short throw distance (TR= 0.34:1-0.36:1)
- Optical lens shift and zoom for easy adjustment
- Long-lasting lamp
Recommended lamp replacement time 6000h (low mode)
- Synchronized lamp and filter maintenance cycle
- Energy efficient design
 - Auto power saving mode
 - Blank with lamp dimming
 - 4 lamp mode (High, Std, Low, Auto*)
 - *Auto lamp control by picture brightness
 - ECO MODE key
- Convenient terminals including HDMI, RS-232C and RJ-45
- 16W Speaker
- USB display
- USB media viewer
- Wireless capability (option)
- Supplied wall mount

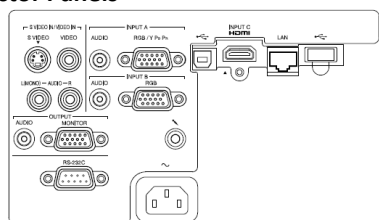
Dimensions (Front)



Dimensions (Bottom)



Connector Panels



XGA / 3,000 lm

Optical		
Light Output / Color Light Output	3000 lumens (Lamp mode: High) 2400 lumens (Lamp mode: Standard) 2000 lumens (Lamp mode: Low)	
LCD Panels	0.63"x3 BrightEra LCD Panel	
Panel Display Resolution	XGA (1024x768 dots)	
Contrast Ratio	2,500:1 (Full white/full black)* ¹	
Light Source	Ultra high-pressure mercury lamp 210 W type	
Recommended Lamp Replacement Time* ²	3000H (Lamp mode: High) 4500H (Lamp mode: Standard) 6000H (Lamp mode: Low)	
Filter Cleaning Cycle* ²	Max. 6000H Same time as the lamp replacement is recommended	
Projection Lens	Zoom / Focus	Approx. 1.05x Manual Zoom / Manual Focus
	Lens Shift	Manual, Vertical +/- 4% Horizontal +/- 3%
	Throw Ratio	0.34:1 to 0.36:1
Screen Size	60" to 110"	
Interface		
Computer and Video Input/Output	INPUT A	Mini D-sub 15-pin (RGB/Y Pb Pr) Audio: Stereo mini jack
	INPUT B	Mini D-sub 15-pin (RGB) Audio: Stereo mini jack
	INPUT C	HDMI® (Digital RGB/Y Pb Pr, Digital Audio) (HDCP support)
	VIDEO IN	Pin Jack Audio : Pin jack (x2) (shared with S VIDEO IN)
	S VIDEO IN	Mini DIN 4-pin Audio : Pin jack (x2) (shared with VIDEO IN)
	Monitor OUT	Mini D-sub 15-pin (from INPUT A and INPUT B)
	Audio OUT	Stereo mini jack (variable out)* ³
Other Signal Input / Output	RS-232C	D-sub 9-pin (male)
	LAN	RJ-45, 10BASE-T/100BASE-TX
	USB	Type-A, Type-B
	Microphone input	Mini jack
General		
Speaker	16Wx1 (monaural)	
Scanning Frequency	H: 15 to 92 kHz, V: 48 to 92 Hz	
Display Resolution	Computer Signal Input	Maximum display resolution : 1600x1200 dots
	Video Signal Input	Video(Composite), 15k(480/60i, 575/50i), DTV (480/60p, 575/50p, 720/60p, 720/50p, 1080/60i, 1080/50i, 1080/60p, 1080/50p)
Color System	NTSC3.58, PAL, SECAM, NTSC4.43, PAL-M, PAL-N	
Power Requirements	AC 100 V to 240 V, 3.1 A to 1.4 A, 50 Hz/60 Hz	
Power Consumption	306 W (AC 100 V-120 V) 296 W (AC 220 V-240 V)	
Standby Mode Power Consumption	5.7 W (Std) / 0.5 W (Low) (AC 100 V-120 V) 5.9 W (Std) / 0.5 W (Low) (AC 220 V-240 V)	
Dimensions (WxHxD) (without protrusion)	384.4 x 122.5 x 423.4 mm 15 1/8 x 4 13/16 x 16 21/32 "	
Mass	6.9kg / 15 lb 3 oz	
Optional Accessories		
Replacement Lamp	LMP-E212	
Wireless LAN Module	IFU-WLM3	
Service Parts		
Replacement Filter	4-400-488-01 (FILTER A [Out side]) 4-400-490-01 (FILTER B [In side]) (Filters are cleanable)	
Replacement Remote	1-490-463-11 (RM-PJ8)	

*¹ The value is average with lamp dimming.

*² The figures are expected maintenance time and not guaranteed.

They will depend on the environment or how the projector is used.

*³ Works as an audio switcher function. Output from a selected channel, not available in standby.

For more information, visit: www.sony.com/projectors